

A desk top unit designed to provide an aesthetically pleasing yet practical solution for desk top power, data and telecom connections. Particularly suited for Hot-desking situations or simply to provide personal desk top power for the general office. POD units can assist with meeting the requirements of the Disability Discrimination Act (DDA) in the workplace by providing facilities accessible to all on the worksurface.

Used in conjunction with underdesk units POD provides a total solution for power and data connectivity at the workstation.

Based on an aluminium extrusion in lengths of up to 3 metres, POD may be used to accommodate mains sockets, data and other connectors as a comprehensive desk top unit to the customers exact specification.

POD may also be configured as a screen or tool rail hung unit with brackets available to suit most types of installation.

Standard colours - Silver anodised body - black fascias and end caps.



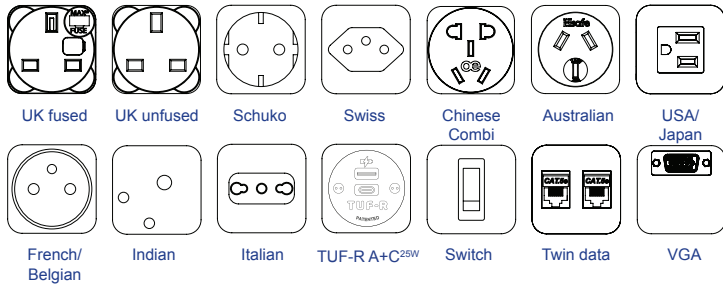
## USPs

- Suitable for hot-desking
- Numerous fitting options
- Available with TUF charger
- BS6396 compliant (where applicable)
- Available with power sockets from different nationalities



# technical

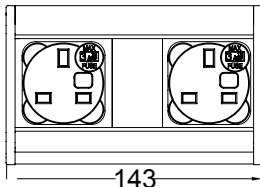
## Common Modular Components\*



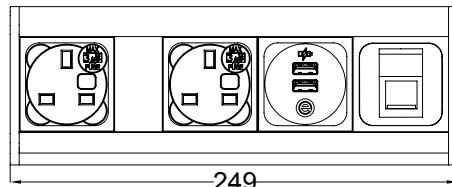
\*See website for more

## Standard Unit Lengths

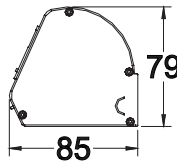
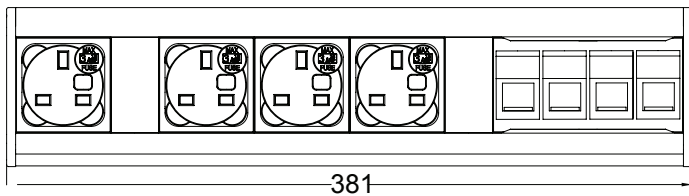
POD 25/...



POD 45/...



POD 70/...



## Standard Fixings

- CB Clamp Bracket 13 - 40mm
- ECB Clamp Bracket (Extended) 25-55mm
- LCB Clamp Bracket (Long-Reach) 13-40mm
- SCB Clamp Bracket (Slim-Line) 5-22mm
- FBT Stick down fixing
- TRB Tool rail fixing\*
- DIN Din Rail fixing\*

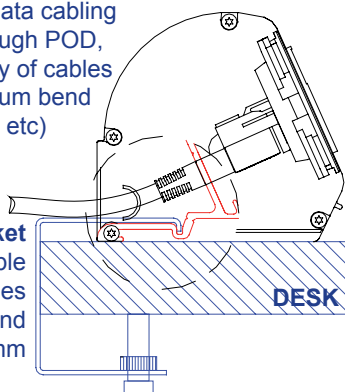
\*Please call to confirm screen/toolrail compatibility

+Din Rail fixing must be specified when ordered

Data fascias allow data cabling to pass straight through POD, ensuring the integrity of cables which have a minimum bend radii (CAT5e, CAT6, etc)

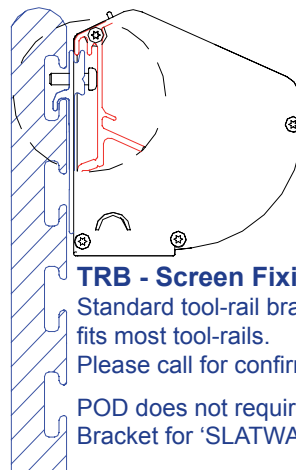
### CB - Clamp Bracket

Clamps are available for desk thicknesses between 13mm and 55mm



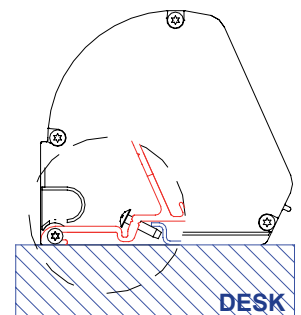
### TRB - Screen Fixing

Standard tool-rail bracket fits most tool-rails. Please call for confirmation. POD does not require any Bracket for 'SLATWALL'



### Din Rail Fixing

Din-Rail fixing can be used for desk-top, underdesk, or screen mounting



Custom brackets available on application

## Features

### Configuration:

Power only / Data only / Combined (Power & Data/AV)  
Internal segregation between Power and Data/AV in combined POD units

### Earthing:

Earthing is available from an earth terminal in the rear of the unit to allow bonding to furniture (in accordance with BS6396). Earth leads are available on request.

### Fusing: (to enable compliance to BS6396)

5 x 20mm anti-surge ceramic fuses, with colour-coded fuseclips to denote the rating (3.15A/5A)

**Increased flexibility** - All PODs are supplied with cables exiting the rear. However, side exit facility is available on all units through a snap-out endcap. Side exit choice can be taken on site and does not require disassembly of POD

### Security:

ANTI-FLEX system: Unique full length locking system guarantees unit integrity regardless of length

### Testing:

100% testing - continuity, polarity, insulation & earth

### Soft Wiring (power)

Power hardwired to Wieland GST connector allows starter cables to be changed to suit requirements, especially useful during moves and changes (CHURN)

### Soft Wired Data

As well as soft-wired power, POD can accommodate soft wired data. Using our inline couplers, data cables can be changed "on-site" to accommodate changes in length often associated with churn

### Soft Fixing

POD is designed to allow brackets to be changed on-site. Unless stated otherwise, POD can simply be moved (using the same brkt) or attached to another feature on the desk simply by changing the bracket